



CJ19 Contactor for Power Factor Correction

1. General

- 1.1 Electric ratings: AC50/60Hz, up to 400V;
- 1.2 Standard: IEC/EN 60947-4-1



2. Type designation

CJ 19 □ □

Number of auxiliary contacts
 20: 2N/O, 11: 1N/O+1N/C
 02: 2N/C (CJ19-25~43)
 21: 2N/O+1N/C, 12: 1N/O+2N/C (CJ19-63~95)
 10: 1N/O, 01: 1N/C (CJ19-115~170)

Basic model code

Design sequence No.

Contactor

3. Normal operation conditions

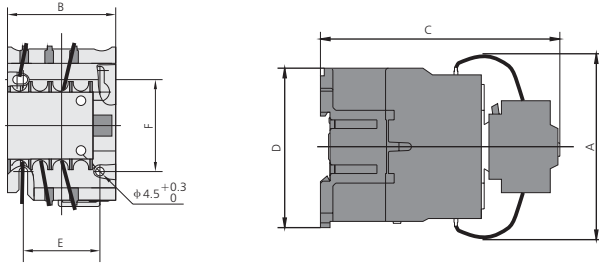
- 3.1 Ambient temperature: -5°C~+40°C,
the average during 24 hours should not exceed +35°C;
- 3.2 Altitude: ≤ 2000m;
- 3.3 Atmosphere conditions: At mounting site,
relative humidity not exceed 50% at the max temperature
of +40°C, higher relative humidity is allowable
under lower temperature. For example,
RH could be 90% at +20°C,
special measures should be taken to occurrence of dews;
- 3.4 Pollution degree: 3
- 3.5 Installation category: III
- 3.6 Installation conditions :
the inclination between installation plane
and vertical plane is within ±5 °
- 3.7 Impact and shake: the products should locate
in the places where there are no obvious impact and shake.

4. Technical data

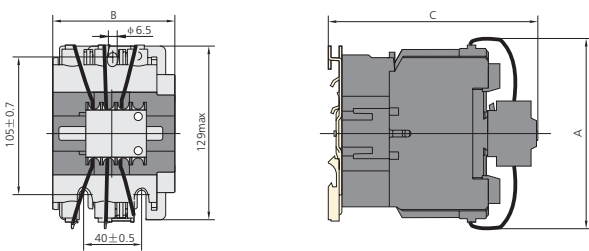
Item	CJ19-25	CJ19-32	CJ19-43	CJ19-63	CJ19-95	CJ19-115	CJ19-150	CJ19-170
Controllable capacitor 220V	6	9	10	15	28.8(240V)	34.5(240V)	46(240V)	52(240V)
Capacity 380V	12	18	20	30	50(400V)	60(400V)	80(400V)	90(400V)
Rated Isolation Voltage Ui V	500					690		
Rated Operational Voltage Ue V	220/240, 380/400							
Conventional thermal current Ith A	25	32	43	63	95	200	200	275
Rated Operational current Ie A(380V)	17	23	29	43	72.2 (400V)	87 (400V)	115 (400V)	130 (400V)
Restrained surge capacity	20 Ie							
Controlled power voltage	110 127 220 380							
Auxiliary contact	AC-15: 360VA DC-13: 33W Ith:10A							
Operating Frequency cycles/h	120							
Electrical durability 10 ⁴	10					2		
Mechanical durability 10 ⁴	100					300		

5. Overall and mounting dimensions (mm)

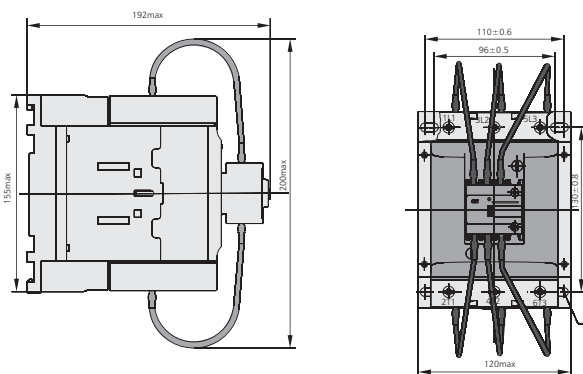
CJ19-25~43



CJ19-63~95



CJ19-115~170



Model	Amax	Bmax	Cmax	Dmax	E	F	Note
CJ19-25	80	47	124	76	34/35	50/60	Not only fixed by screws but also could be fixed with 35mm din rail
CJ19-32	90	58	132	86	40	48	
CJ19-43	90	58	136	86	40	48	
CJ19-63	132	79	150	-	-	-	Not only fixed by screws but also could be fixed with 35mm and 75mm din rail
CJ19-95	135	87	158	-	-	-	
CJ19-115	200	120	192	155			Not only fixed by screws but also could be fixed with two 35mm din rail
CJ19-150	200	120	192	155			
CJ19-170	200	120	192	155			

6. Wiring and installation

- 6.1 The connection terminals are protected through insulation cover, which is reliable and secure for installation and operation;
- 6.2 For CJ19-25~43, screws are available for installation, as well as the DIN rail;
 - for CJ19-63~95, 35mm or 75mm standard rail are available for installation.
 - for CJ19-115~170, screws are available for installation, as well as two 35mm DIN rail.